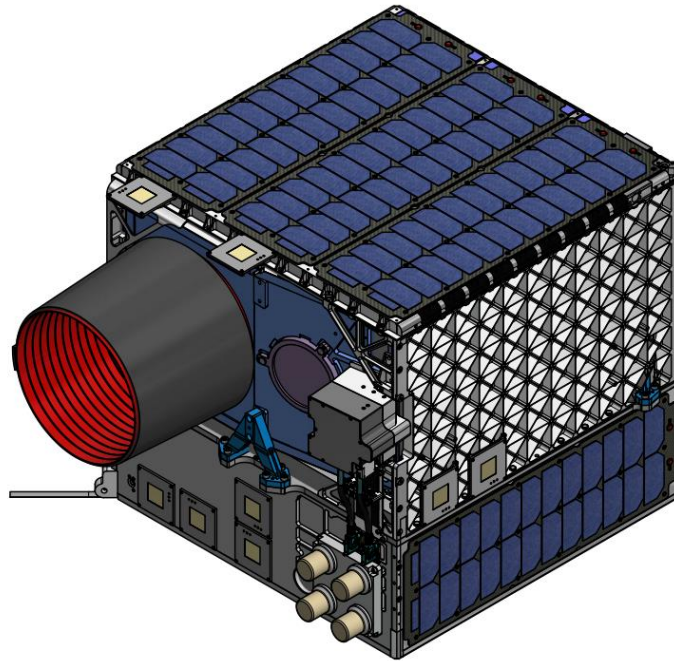


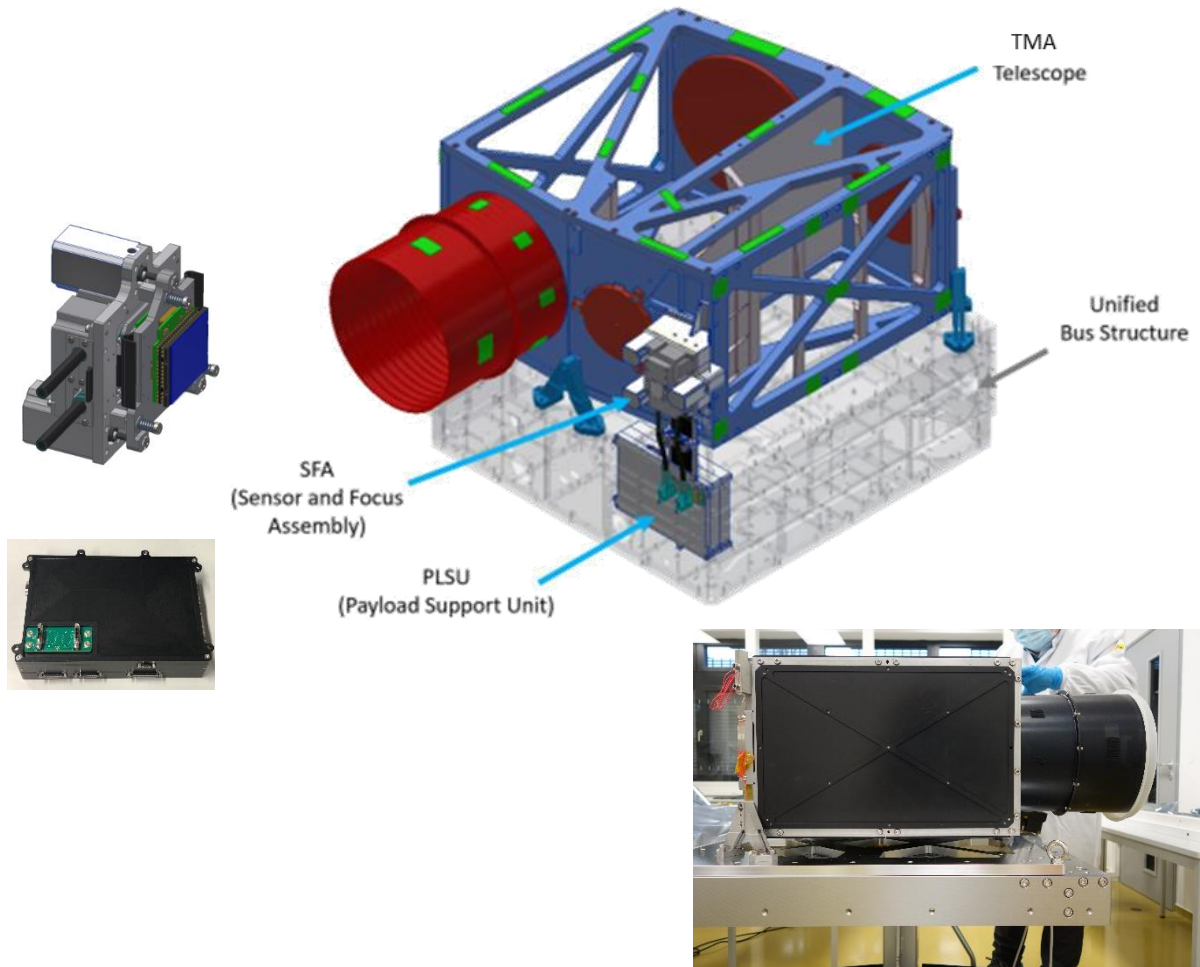
## LEOS-50HR

The LEOS-50HR is based on the second generation of LEOS-50 satellites. It is a small satellite platform for medium sized payloads. BST suggests using the satellite for payloads with up to 30kg mass like our HRVI-2HD.



LEOS-50HR

CHARACTERISTICS	
System	Volume: 570x570x400mm <sup>3</sup> Mass: 75kg with electric propulsion Design Life: 5 year LEO
Payload	550x550x400mm <sup>3</sup> 15-30kg (recommended) 25W av. 250W peak
Bus	Very Fast Target Pointing (5°/s), S-Band TT&C, 320Mbit/s X-Band downlink, Fully Encrypted (Data & TT&C), Electrical Propulsion



SYSTEM SPECIFICATION	Specification	Comment
Resolution (PAN/MS)	1.92m / 7.68m	@500km
Swath Width	>14.6km	@500km
Channels	1x PAN & 4x MS	PAN: 450-900nm BLUE: 450-520nm GREEN: 520-600nm RED: 630-690nm NIR: 750-900nm
MTF	>0.1	@ full resolution and across the field
	SNR >100	
Size (x,y,z)	520x780x335	Including Baffle
Total Mass	19kg	
Temperature Range	0 to 30°C / -15°C to +35°C	OP/Non-Op
Design Life	5 years LEO	