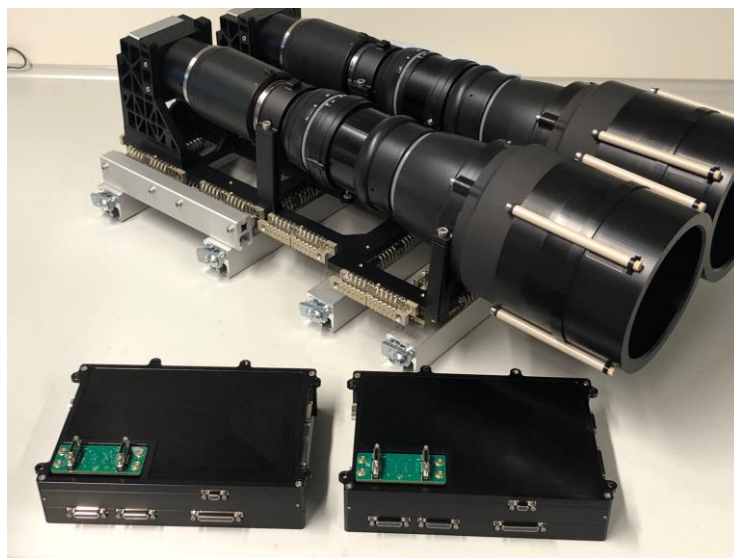


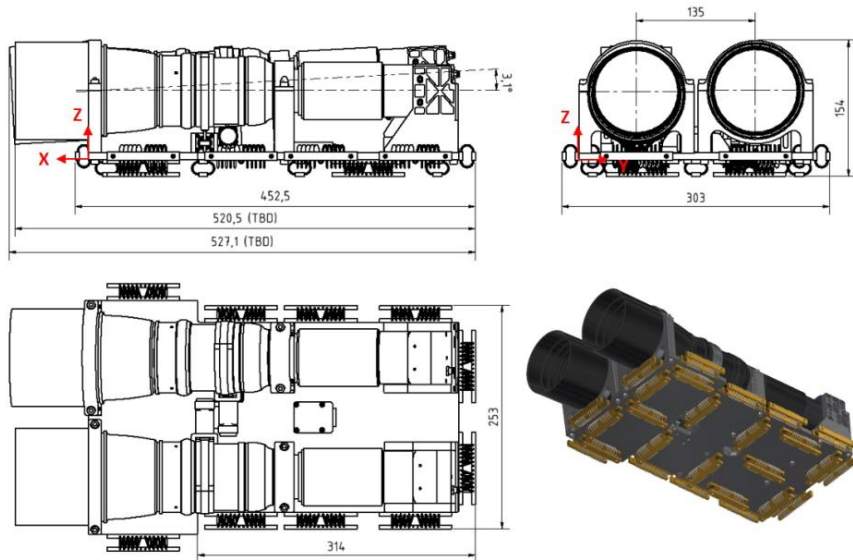
## HRVI-6HD 2<sup>ND</sup> GENERATION

The HRVI-6HD 2<sup>nd</sup> Generation is the latest version of our heritage line camera systems. It consists of three sub-units, the DCP (Dual Camera Payload) and two PLSU (Payload Support Unit), one attached to each of the DCP's two optical heads. The HRVI-6HD 2<sup>nd</sup> Gen offers 4.6m GSD resolution imagery with a 70km swath. More information can be found in the ICD.



HRVI-6HD 2<sup>nd</sup> Generation FM (1x DCP & 2x PLSU) mounted on transport frame

SPECIFICATION	Multispectral	Super Spectral	Hyper Spectral
Resolution (@ 500km)	4.6m / 9.2m (PAN / MS)	5.4m (MS)	4.6m / 9.2m / 27.6 (PAN / MS / HS)
Swath Width (@ 500km)	70km	70km	36km
Spectral Band	450-900nm	450-900nm	MS: 450-900nm
Channels	1+4	7	1+4+100
MTF	>0.1 - across the field & at full resolution		
SNR	>100 / >100	>100	>100 / >100 / >80
Size (x,y,z)	DCP (with Baffle): 540x320x170mm <sup>3</sup> w/o PLSU		
Total Mass	10.450 kg (PLSU + 2x DCP)		
Temperature	0 to 30°C / -15°C to +35°C (OP/Non-Op)		
Design Life	5 years LEO		



Mechanical Interface

INTERFACES & CAPABILITIES	Multispectral	Super Spectral	Hyper Spectral
1x DCP			
2x Lens	89mm Aperture, 500mm Focal Length In-Orbit Focus System: Yes Thermal System: Heaters		
Filter & Spectral Bands	PAN: 450-900nm BLUE: 450-520nm GREEN: 520-600nm RED: 630-690nm NIR: 750-900nm	Coastal I: 400-450nm Blue II: 450-520nm Green: 520-580nm Yellow: 580-630nm Red: 630-690nm Red Edge: 690-750nm NIR: 750-900nm	PAN: 450-900nm BLUE: 450-520nm GREEN: 520-600nm RED: 630-690nm NIR: 750-900nm +100 HS channels 500-850nm 2% FWHM, OD4
2x FPU	Detector Size: 2x 7920x6004 px Bit Depth (User Selectable): 8/10/12		
2x PLSU	<b>Per Unit</b>		
Storage	1TB		
Compression	JPEG selectable ratio		
Encryption Engine	Yes		
CCSDS Engine	Yes		
X-Band Data Output	1x LVDS – 100 Mbit/s (up to 1Gbit/s optional), Gigabit Ethernet		
TMTC Interface	RS422		