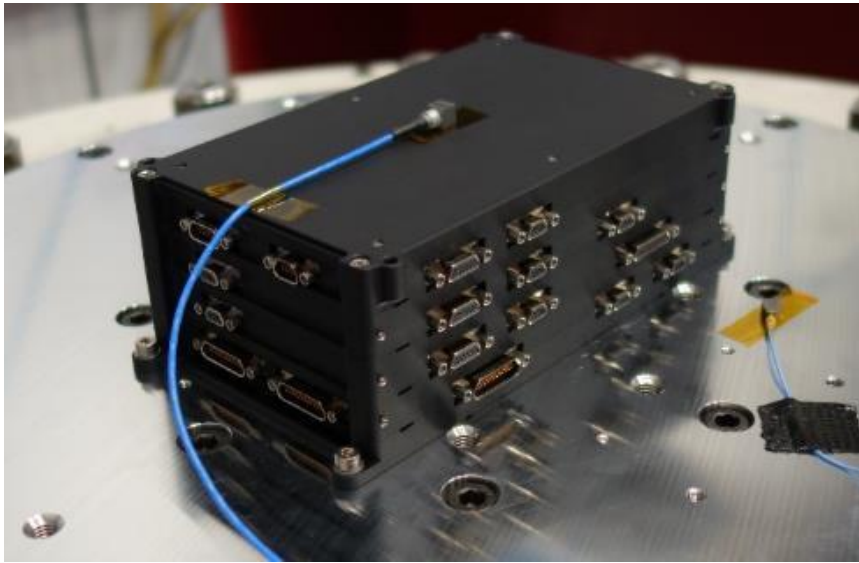


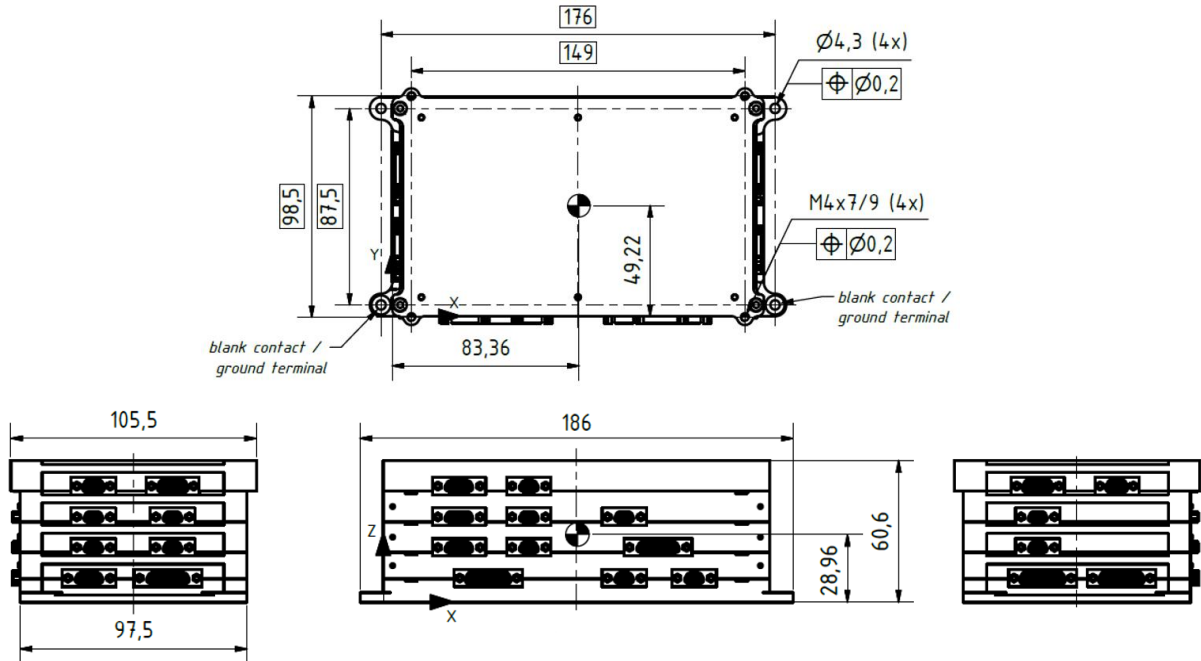
POWER CONTROL UNIT - PCU-110

The PCU-110 by Berlin Space Technologies is the second generation of our flight proven Power Control and Distribution Units. It is able to handle power regulation, power switching, DC/DC conversion and safety features of a small satellite. It is highly adaptable for different missions and sub systems.



Power Control Unit - PCU-110

CHARACTERISTICS	
Data Interfaces	3x RS422 3x 1-Wire
Booting Time	4.5 sec
Operating Voltage [Min/Nominal/Max]	20.5 V / 23.1 V / 25.2 V
Maximum Current	8 A
Maximum Power Output	180 W
Idle Power	0.5 W
MPPT	Optional
Size	186.0 x 105.5 x 60.6 mm ³
Weight	1.08 kg
Storage Temperature	-30°C to +50°C
Operating Temperature	-20°C to +40°C
Design Life	5 years LEO



CHARACTERISTICS	VALUE
Solar Panel Power In (standard) (optional)	20-28V DC 12V, 15V, 18V
Connectable Battery Strings	6
Connectable Solar Strings	12
Power Output Interfaces	31
Regulated Power Output (standard) (optional)	2x 12V, 12x 5V, 5x 3.8V Any between 1.8V to 28V
Unregulated Power Output	12x 23.1 V (20-25 V)
Adjustable Switches and Fuses	Yes
Latch Protection	Yes
Battery Protection	Schmitt Trigger intelligent Power Management